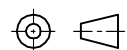


SOURCE DRAWING - FOR REFERENCE ONLY

ELECTRICAL CHARACTERISTICS:
POWER SUPPLY - 7V-30VDC

LED INDICATORS
 LOW VOLTAGE THRESHOLD - 12.4V (MINIMUM)
 "OK" VOLTAGE THRESHOLD - 12.96V - 24.78V
 HIGH VOLTAGE THRESHOLD - 25.3V (MAXIMUM)
 GLITCH THRESHOLD - 1.26V (1.6MS RISE TIME), 0.67V (1MS RISE TIME)
 RIPPLE THRESHOLD - 1.5V P-P 20-250HZ, 2.6V P-P 10-20H

| | | | | | |
|---|---|--|---|--|--------------|
| RELATED DOCUMENTS 1. 2. 3. 4. | 3RD ANGLE PROJECTION  | THIS DRAWING IS CONFIDENTIAL AND THE PROPERTY OF TURCK INC. USE OF THIS DOCUMENT WITHOUT WRITTEN PERMISSION IS PROHIBITED. | TURCK INC <i>High Technology Sensors and Automation Controls</i> 3000 CAMPUS DRIVE MINNEAPOLIS, MN 55441 1-800-544-7769 (763) 553-7300 (763) 553-0708 fax turck.com | | |
| MATERIAL | ALL DIMENSIONS DISPLAYED ON THIS DRAWING ARE FOR REFERENCE ONLY | DRFT RDS | DATE 06/23/09 | DESCRIPTION MT-RKM/RSM/RKM 57/DNET/VM | |
| SEE SPECIFICATIONS | | APVD | SCALE 1=1.5 | | |
| FINISH | CONTACT TURCK FOR MORE INFORMATION | UNIT OF MEASUREMENT MILLIMETERS | | IDENTIFICATION NO. | |
| SEE SPECIFICATIONS | | DO NOT SCALE THIS DRAWING | | U2-16086 | REV B |
| B ADD ELECTRICAL CHARACTERISTICS | RDS | 03/27/13 | 41683 | FILE: U2-16086 | SHEET 1 OF 1 |
| REV DESCRIPTION | BY | DATE | ECO NO. | | |